

## Spring Toggle

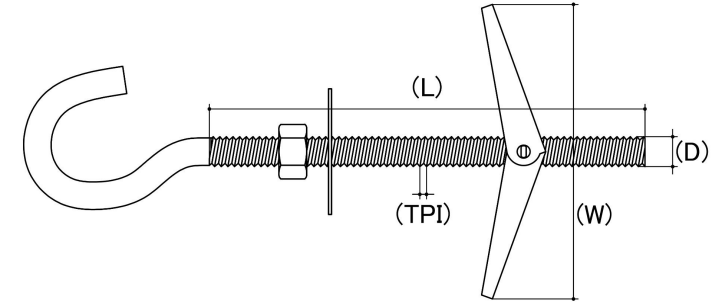
**Head Style:** Hook

**Material:** Carbon Steel

**Class Grade:** Low Tensile Grade 2

**Material Finish:** Zinc Yellow Plated

**Corrosion Protection Level:** Moderate



*CAD drawings shown for graphic representation only.\**

Size	Length (mm)	Anchor Length (L) (mm)	Min Base Material Thick (B) (mm)	Max Fast Thickness (G) (mm)	Toggle Width (W) (mm)	Drill Hole Size (mm)	sku (qfind)
	Nom	Nom	Nom	Nom	Nom	Nom	
M5	50	50	8.00	42.00	50	14.00	65STCH550

**Disclaimer:**

Dimensional data and technical information was obtained from publically available sources and not acquired through standard agencies. It has been completed and compiled for reference purposes only; where discrepancies are found they are subject to change without notice. Bolt & Nut Australia makes no warranties or representations regarding the accuracy and validity of the compiled information and data. Contact the relevant standard authorities for accurate and detailed information.

\* CAD drawings may not reflect diameter, thread length or overall length.

© Bolt & Nut Australia Pty Ltd. All rights reserved.

Version: 18 Mar 2024